

350W Rainproof LED Power Supply

1 of 3



Features :

- Rainproof design for indoor or outdoor installations
- Protections: Short circuit / Overload/Over temperature
- 100% full load burn-in test
- Suitable for LED lighting
- Products through CE, ROHS Certification
- 1 years warranty

CE RoHS

SPECIFICATION

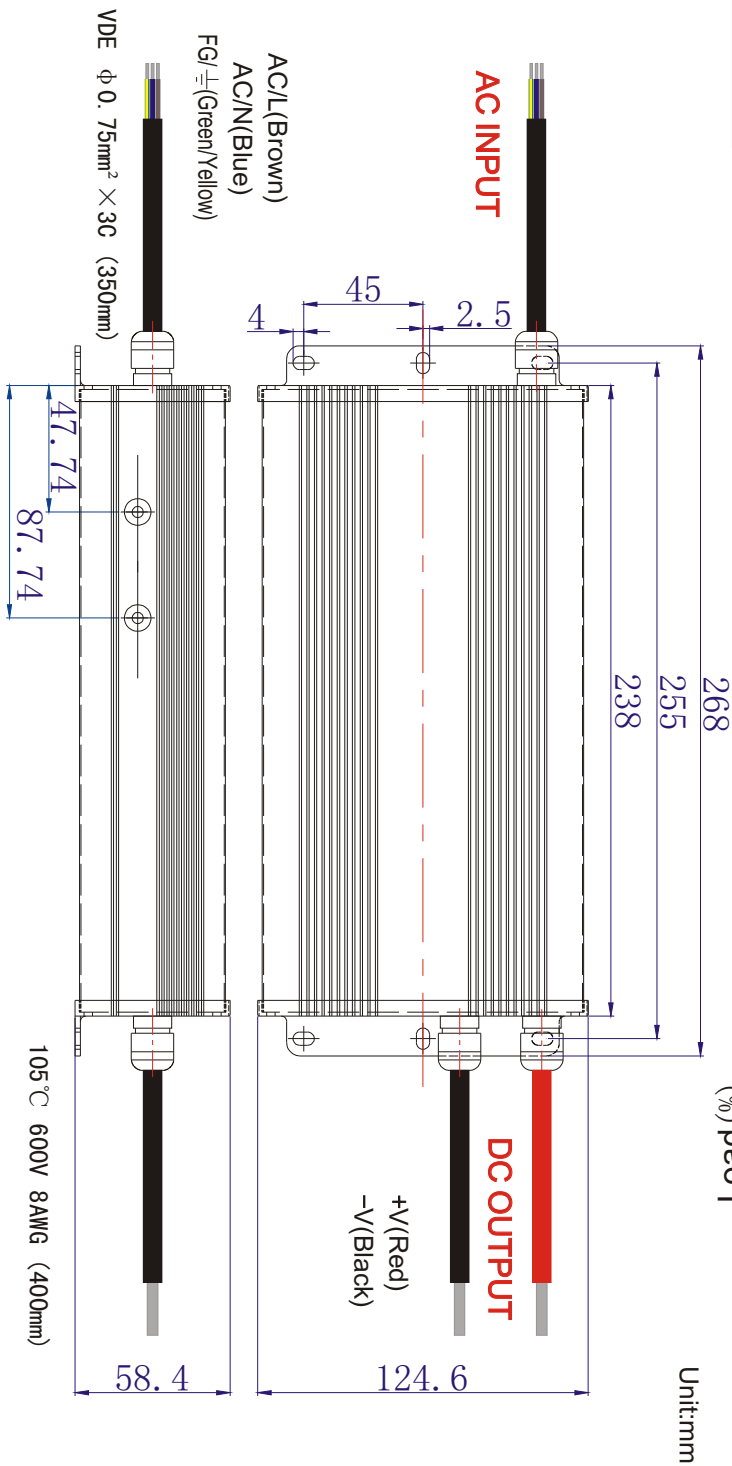
| MODEL | | XH-V12350-A | | | |
|--------------|--|--|--|--|--|
| OUTPUT | DC VOLTAGE | 12V | | | |
| | RATED CURRENT | 29.2A | | | |
| | CURRENT RANGE | 0~29.2A | | | |
| | RATED POWER | 350W | | | |
| | RIPPLE & NOISE (max.) ^{NOTE2} | 150mV | | | |
| | VOLTAGE TOLERANCE ^{NOTE3} | ±4% | | | |
| | SETUP, RISE TIME | 80ms/220VAC | | | |
| | HOLD UP TIME (Typ.) | 60ms/220VAC | | | |
| INPUT | VOLTAGE RANGE | 170 ~ 250VAC | | | |
| | FREQUENCY RANGE | 50 ~ 60Hz | | | |
| | POWER FACTOR (Typ.) | PF>0.6/220VAC | | | |
| | EFFICIENCY (Typ.) | 80% | | | |
| | AC CURRENT (Typ.) | 3.3A/220VAC | | | |
| | INRUSH CURRENT (Typ.) | COLD START 50A/220VAC | | | |
| PROTECTION | Short circuit | Protection type : recovers automatically after fault condition is removed | | | |
| | Overload | overload protected @ 105-110% above peak rating | | | |
| | Over temperature | Protection type : Shut down o/p voltage, re-power on to recover | | | |
| ENVIRONMENT | WORKING TEMP. | -0 ~ +50°C (Refer to output load derating curve) | | | |
| | WORKING HUMIDITY | 10 ~ 95% RH non-condensing(Rainproof) | | | |
| | STORAGE TEMP., HUMIDITY | -40 ~ +80°C , 10 ~ 95% RH | | | |
| SAFETY & EMC | SAFETY STANDARDS | CE Mark (LVD) , | | | |
| | WITHSTAND VOLTAGE | I/P-O/P:1.5KVAC I/P-GND:1.5KVAC | | | |
| | EMC Test Standards | EN55015:2006 ; EN61547:1995+A1:2000 ; EN61000-3-2:2006 ; EN61000-3-3:1995+A2:2005 ; EN61347-1:2001 ; EN61347-2-13:2006 | | | |
| NOTE | <p>1. All parameters NOT specially mentioned are measured at 220VAC input, rated load and 25°C of ambient temperature.</p> <p>2. Ripple & noise are measured at 20MHz of bandwidth by using a 12" twisted pair-wire terminated with a 0.1uf & 10uf parallel capacitor.</p> <p>3. Tolerance : includes set up tolerance, line regulation and load regulation.</p> | | | | |

tel: 00 44 (0) 1279 406960, email: sales@whatpowersupply.com

www.whatpowersupply.com

PDS Design Solutions Limited

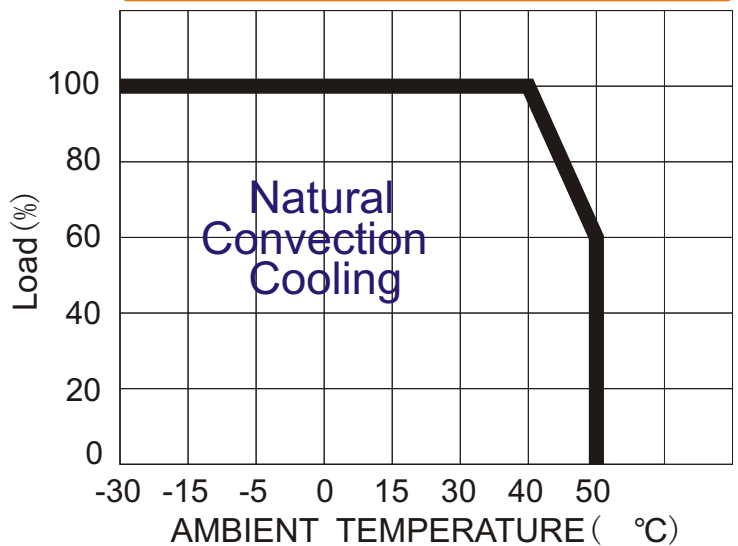
Mechanical Specification



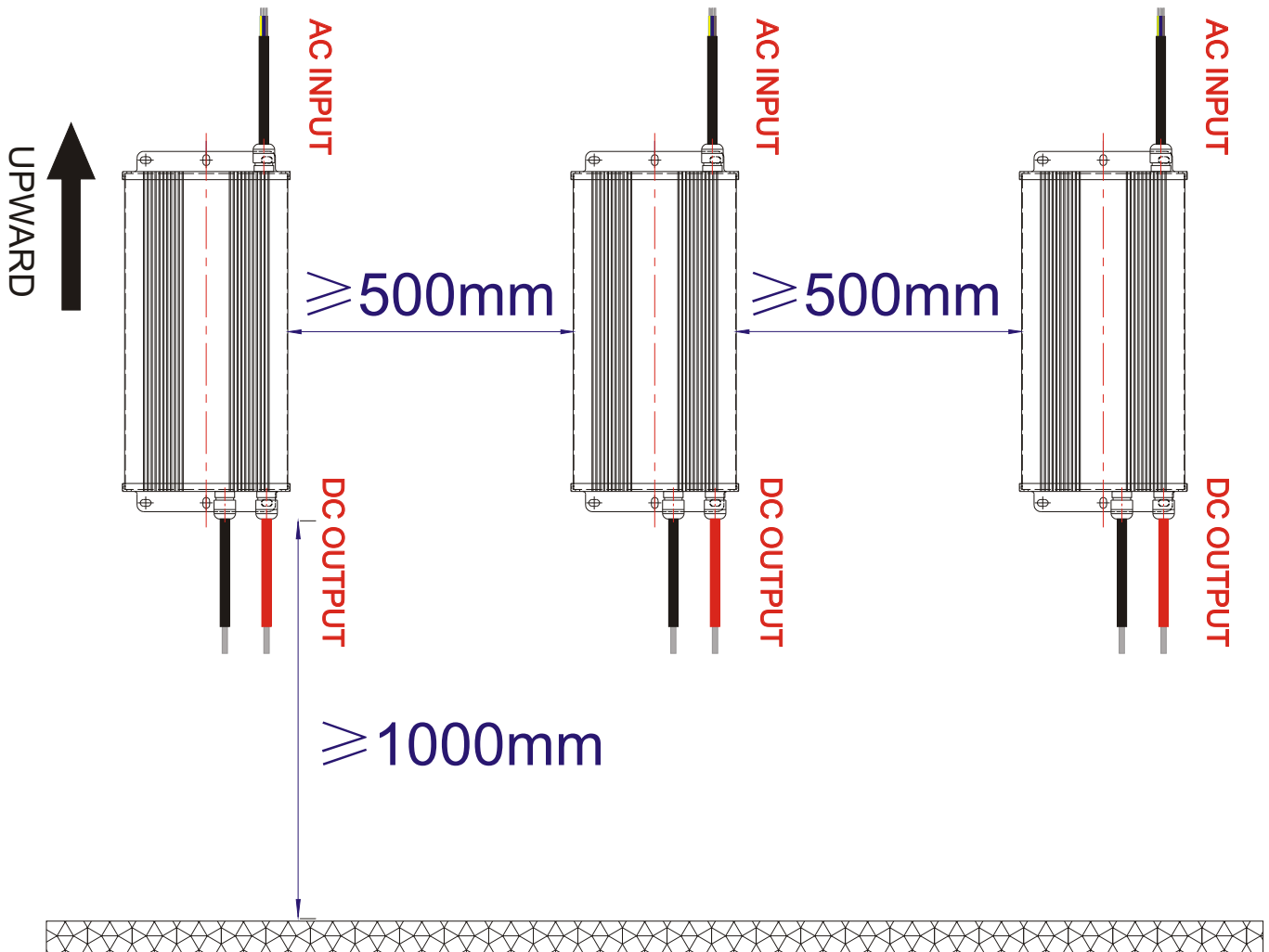
Others

| | |
|-----------------|----------------------------|
| DIMENSION | 268×124.6×58.4(mm) (L×W×H) |
| CARTON QUANTITY | 15PCS/Carton |
| CARTON SIZE | 455×340×358(mm) |
| WEIGHT | 1.27kg/PCS |

Derating Curve



Installation Sketch Map



Note: (as figure shows) there should be a distance of 500mm between each PSU and 1000mm between the PSU & the lights, so as to avoid interference between PSUs. Should be used in a well-ventilated environment.