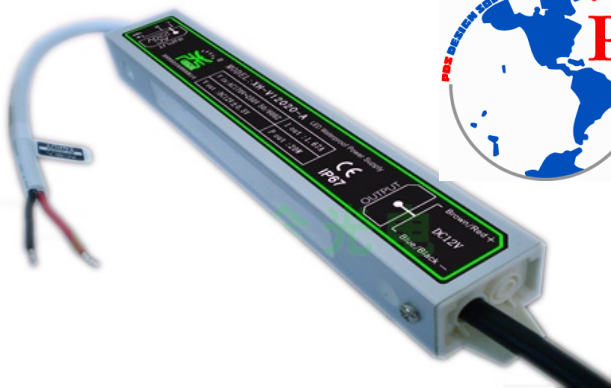


# 20W Waterproof LED Power Supply

1 of 2



## Features :

- IP67 design for indoor or outdoor installations
- Protections: Short circuit / Overload/Over temperature
- Cooling by free air convection
- 100% full load burn-in test
- Suitable for LED lighting
- Products through CE, RoHS Certification
- 1 years warranty

**IP67 CE RoHS**

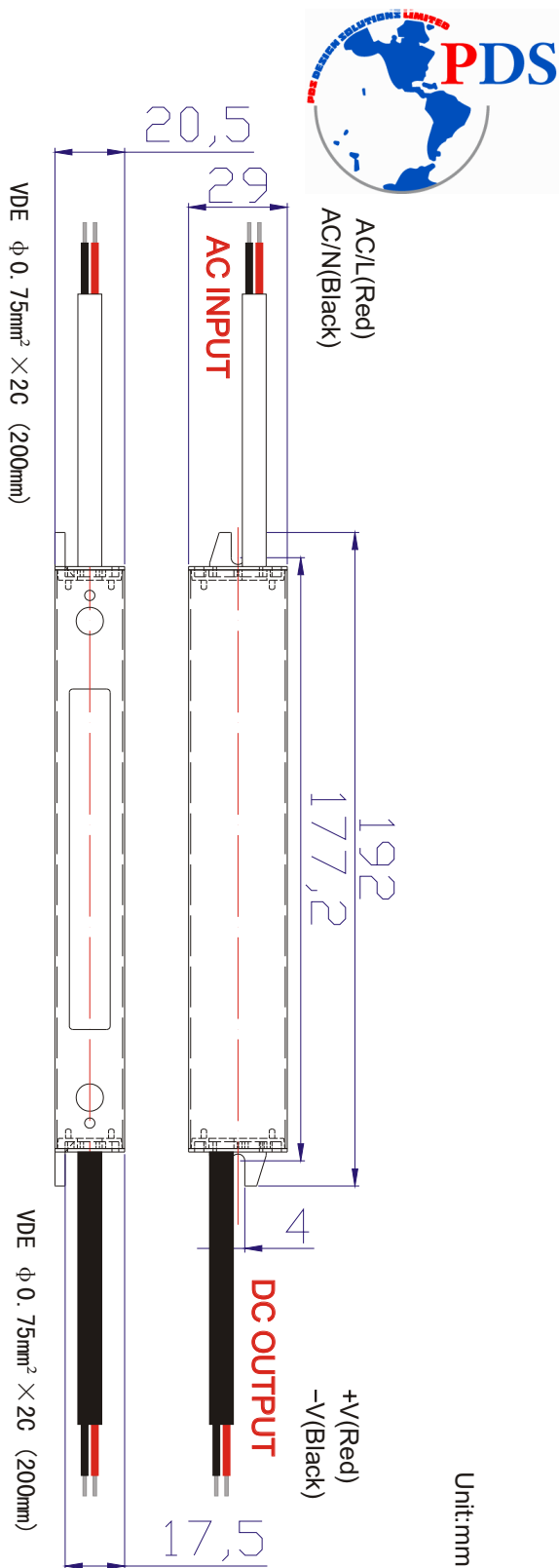
## SPECIFICATION

MODEL		XH-V12020-A	XH-V24020-A			
OUTPUT	DC VOLTAGE	12V	24V			
	RATED CURRENT	1.67A	0.83A			
	CURRENT RANGE	0~1.67A	0~0.83A			
	RATED POWER	20W	20W			
	RIPPLE & NOISE (max.) <sup>NOTE2</sup>	150mV	150mV			
	VOLTAGE TOLERANCE <sup>NOTE3</sup>	±4%	±2%			
	SETUP, RISE TIME	80ms/220VAC				
	HOLD UP TIME (Typ.)	60ms/220VAC				
INPUT	VOLTAGE RANGE	170 ~ 250VAC				
	FREQUENCY RANGE	50 ~ 60Hz				
	POWER FACTOR (Typ.)	PF>0.6/220VAC				
	EFFICIENCY (Typ.)	80%	80%			
	AC CURRENT (Typ.)	0.19A/220VAC				
	INRUSH CURRENT (Typ.)	COLD START 40A/220VAC				
PROTECTION	Short circuit	Protection type : recovers automatically after fault condition is removed				
	Overload	overload protected @ 145-160% above peak rating				
	Over temperature	Protection type : Shut down o/p voltage, re-power on to recover				
ENVIRONMENT	WORKING TEMP.	-30 ~ +50°C (Refer to output load derating curve)				
	WORKING HUMIDITY	20 ~ 99% RH non-condensing(Waterproof)				
	STORAGE TEMP., HUMIDITY	-40 ~ +80°C , 10 ~ 99% RH				
SAFETY & EMC	SAFETY STANDARDS	CE Mark (LVD) , IP67				
	WITHSTAND VOLTAGE	I/P-O/P:1.5KVAC I/P-GND:1.5KVAC				
	EMC Test Standards	EN55015:2006 ; EN61547:1995+A1:2000 ; EN61000-3-2:2006 ; EN61000-3-3:1995+A2:2005 ; EN61347-1:2001 ; EN61347-2-13:2006				
NOTE	<p>1. All parameters NOT specially mentioned are measured at 220VAC input, rated load and 25°C of ambient temperature.</p> <p>2. Ripple &amp; noise are measured at 20MHz of bandwidth by using a 12" twisted pair-wire terminated with a 0.1uf &amp; 10uf parallel capacitor.</p> <p>3. Tolerance : includes set up tolerance, line regulation and load regulation.</p>					

tel: 00 44 (0) 1279 406960, email: [sales@whatpowersupply.com](mailto:sales@whatpowersupply.com)

PDS Design Solutions Limited

## Mechanical Specification



## Others

DIMENSION	192×29×20.5(mm) (L×W×H)
CARTON QUANTITY	50PCS/Carton
CARTON SIZE	390×215×200(mm)
WEIGHT	215g/PCS

## Derating Curve

